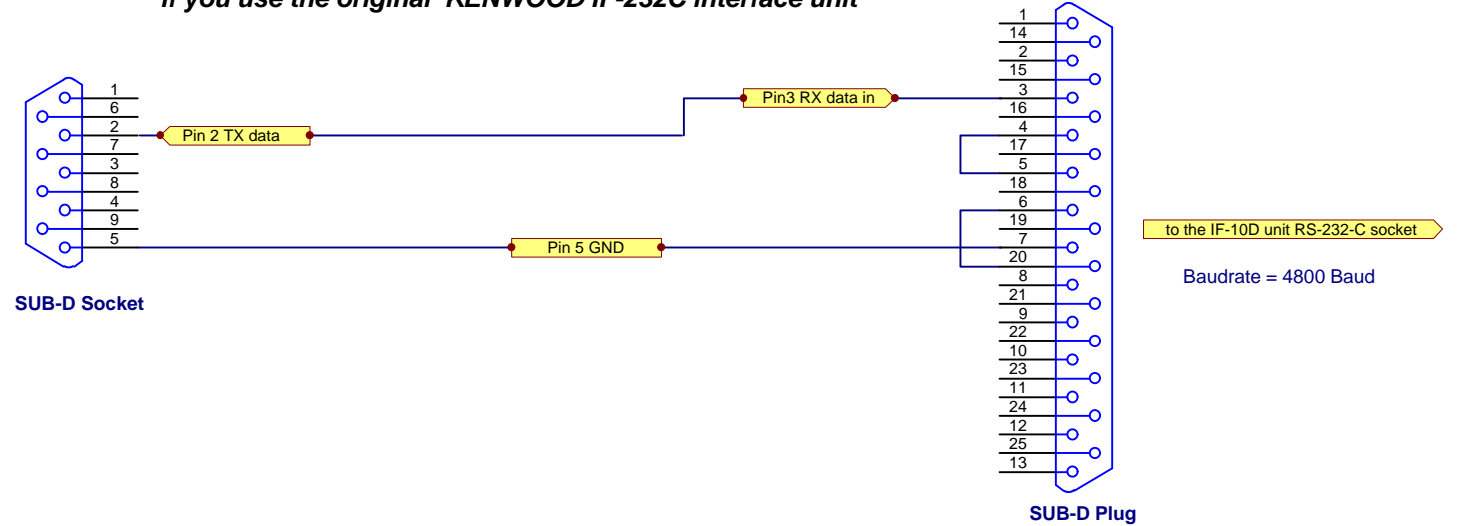
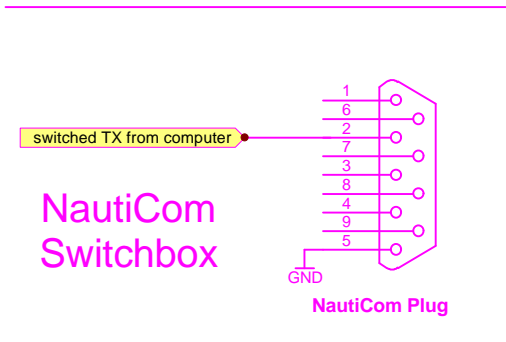


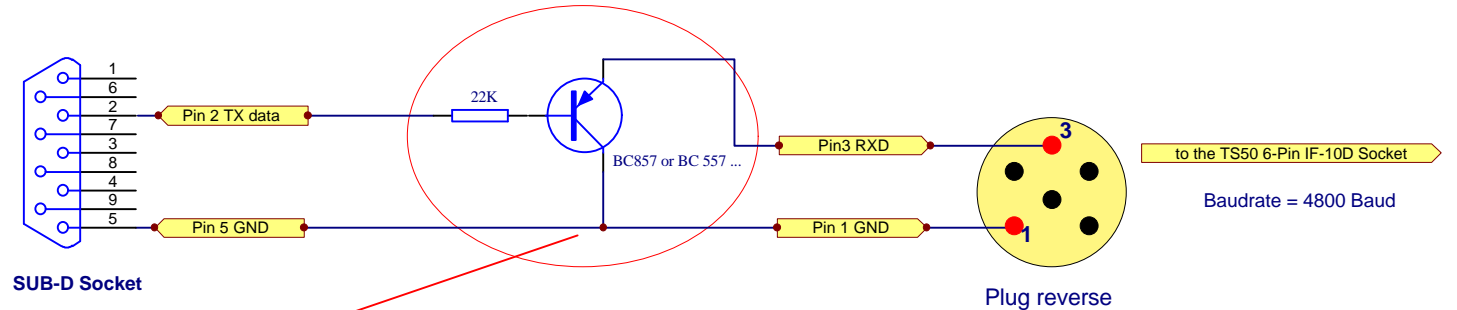
if you use the original KENWOOD IF-232C interface unit




use the following connections, then the IF-232C interface is not required



for self made IF-232C interface



Some Kennwoods works without resistor and transistor -- like TS-690.....

 CABLE- AND JUNCTIONS Service WORKFILE: CABNA09		date: 01.09.98